

1A1 KEY TELEPHONE SYSTEM
AUDIBLE SIGNAL CONTROL
INTERRUPTED COMMON AUDIBLE SIGNAL
USING 16A OR 211A KEY TELEPHONE UNITS
CONNECTIONS

1.00 GENERAL

1.01 This section shows connections for 16A and 211A key telephone units in key system line circuit applications which provide interrupted common audible signaling of a ringer, buzzer, or bell (see Fig. 2, 3, or 4).

1.02 It is reissued to:

- Include connections to recent types of line circuits.
- Include *R* and *RR* lead connections to audible signal circuit from other key telephone units (see Fig. 2, 3, and 4).
- Show resistance lamp (GRD-105V±) connections to other key telephone units.

1.03 Fig. 1 has been included to assist in clearing trouble.

1.04 Factory strapping shown in Fig. 2 and 3 is for information purposes only.

1.05 Due to extensive changes marginal arrows have been omitted.

2.00 SELECTION

2.01 The 211A KTU is a panel-type unit. In addition to providing a circuit to interrupt an audible signal, it contains a ringing lamp circuit, a battery supply noise suppression circuit, and an intercommunicating line circuit.

2.02 The 16A KTU is a ringup relay angle-bracket-type unit. It provides a switching circuit that is activated by ringing current to a locally supplied audible signal.

2.03 The 11A KTU may be used with the 16A KTU when a ringing lamp circuit is required.

3.00 CONNECTIONS

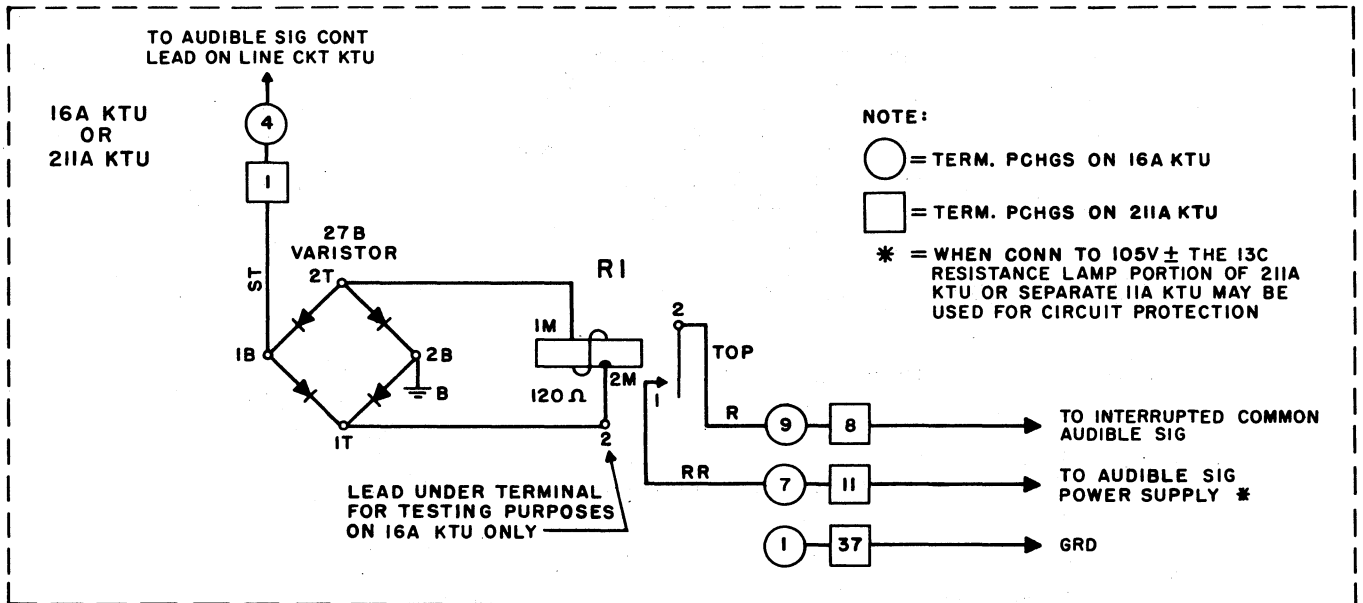
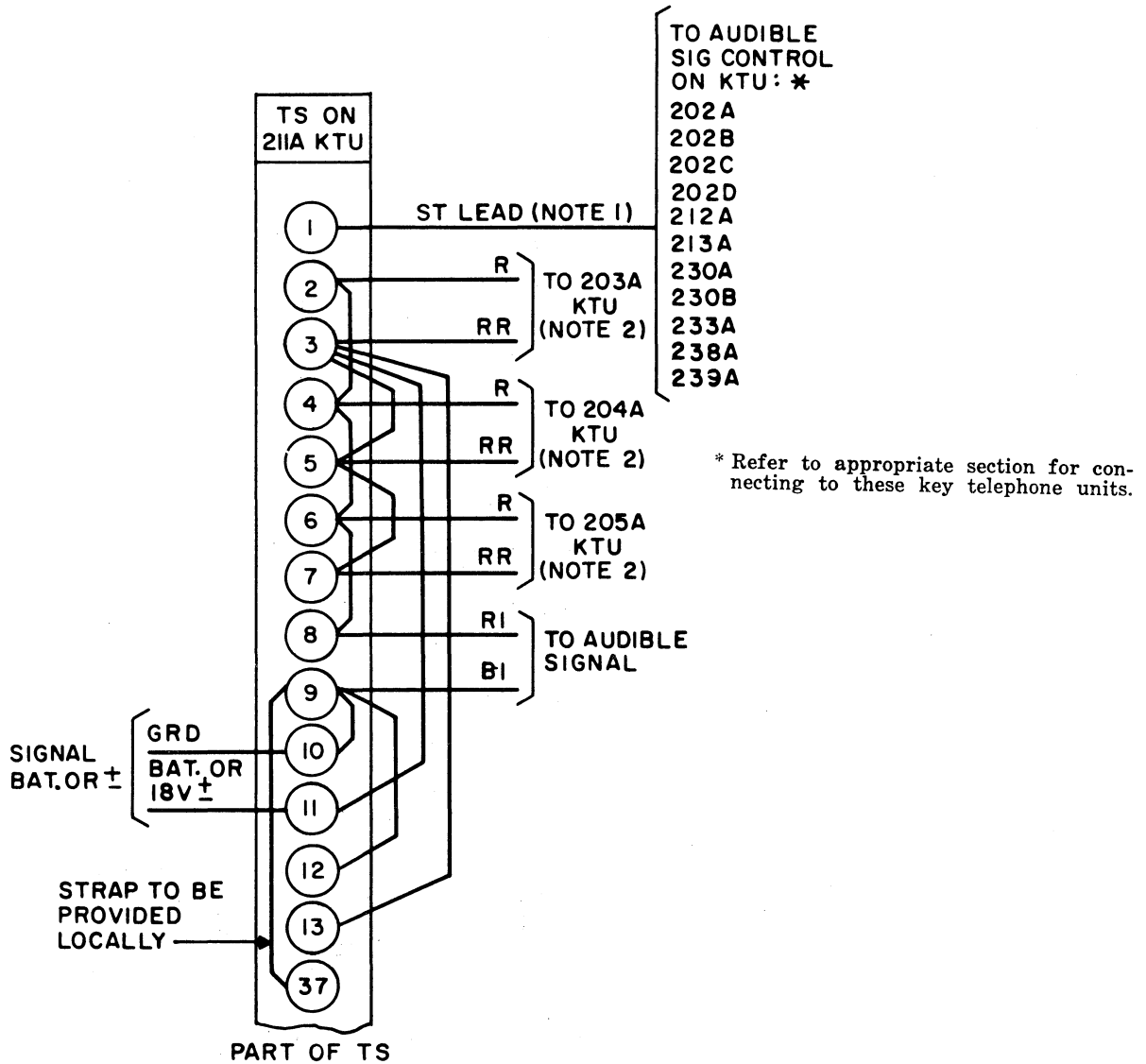


Fig. 1 - 16A or 211A KTU



Note 1: Straps that provide other ringup options on line circuits must be removed when start lead control is used.

Note 2: Provide *R* and *RR* leads when the common audible signal is to be operated by the 203A, 204A, or 205A KTU.

Fig. 2 — Interrupted Audible Control Circuit Connections Using 211A KTU with 20 Volts DC or 18 Volts AC

Note 1: Straps that provide other ringup options on line circuits must be removed when start lead control is used.

Note 2: Provide *R* and *RR* leads when the common audible signal is to be operated by the 203A, 204A, or 205A KTU.

Note 3: Terminal 37 should be connected to local ground if central office generator supply is used, otherwise it may be strapped to ground side of power plant supply.

Note 4: Use these connections to furnish 105 Volts± when generator resistance lamp is used for circuit protection.

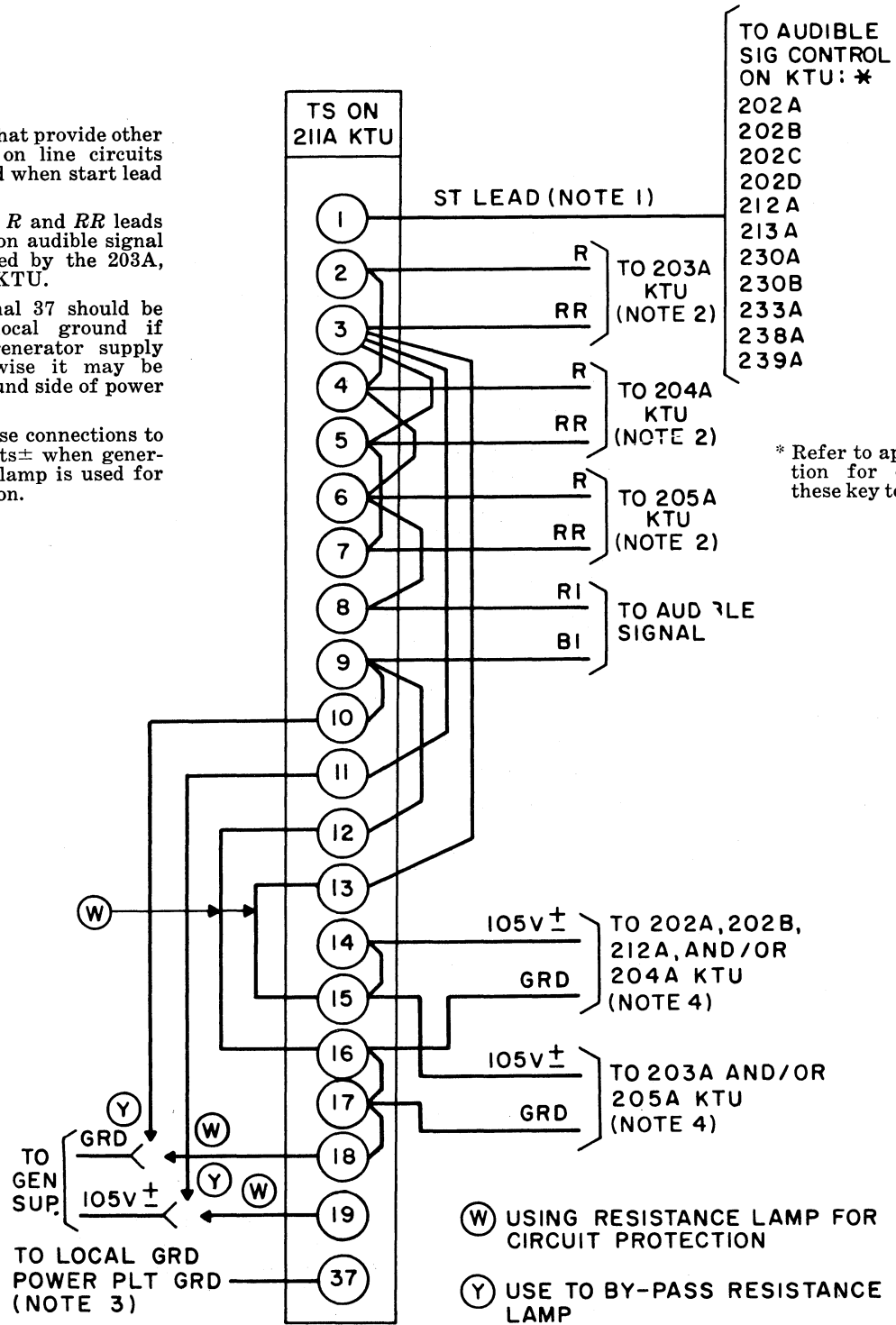
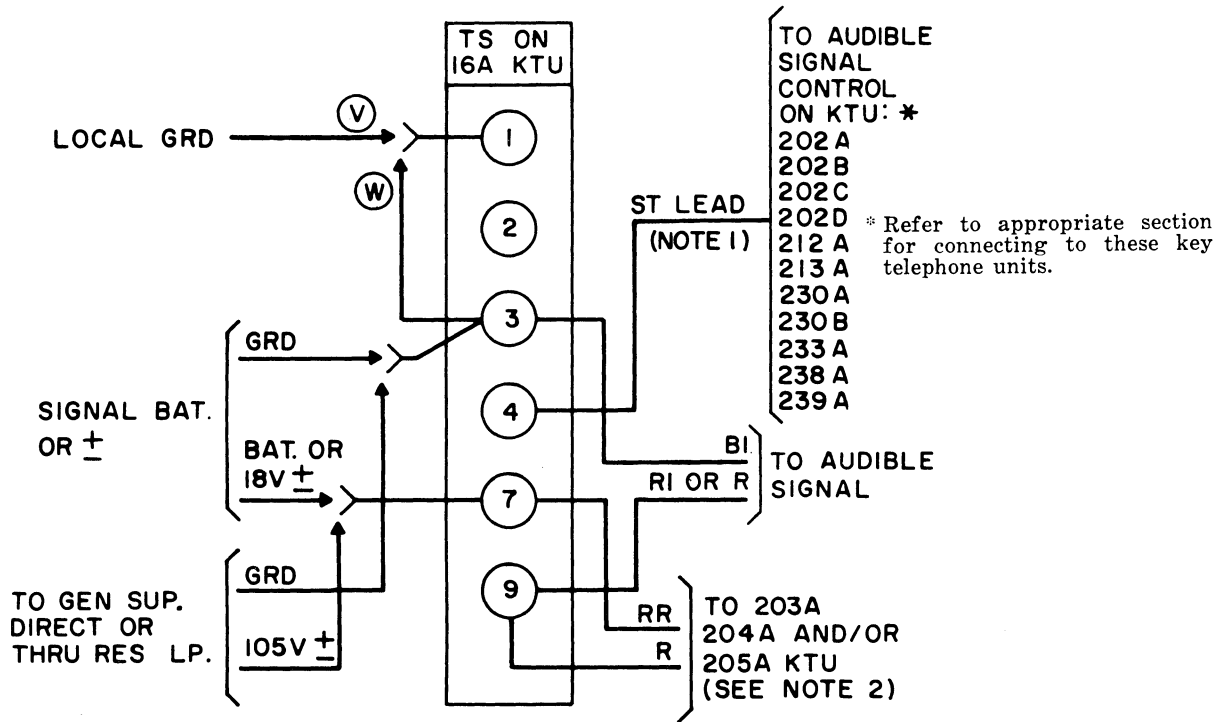


Fig. 3 — Interrupted Audible Control Circuit Connections Using 211A KTU with 105 Volts± Generator



OPTIONS:

- (V) WHEN CO GEN SUPPLY OR LOCAL BAT. IS USED.
- (W) WHEN IOIG PWR PLT IS USED

Note 1: Straps that provide other ringup options must be removed from line circuits when *ST* lead control is used.

Note 2: Provide *R* and *RR* leads when the common audible signal is to be operated by the 203A, 204A, or 205A KTU.

Fig. 4 – Interrupted Audible Control Circuit Connections Using 16A KTU with 20 Volts DC, 18 Volts AC, or 105 Volts± Generator